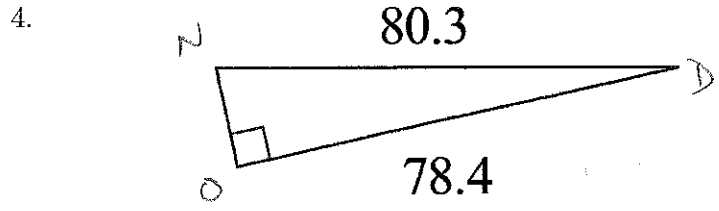
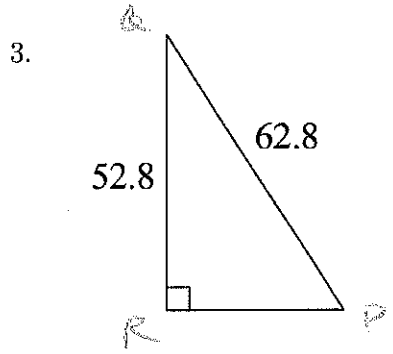
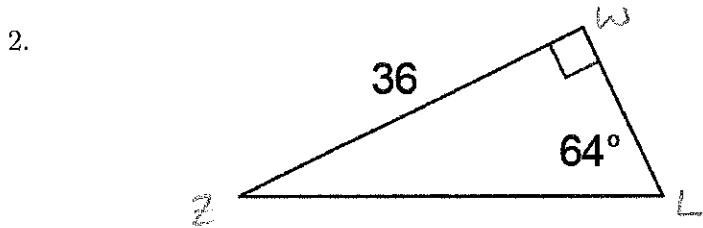
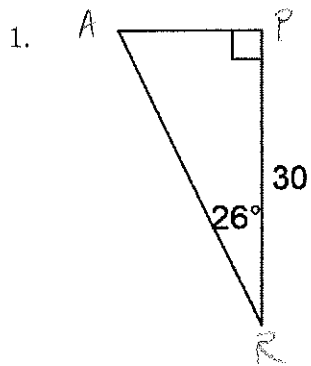
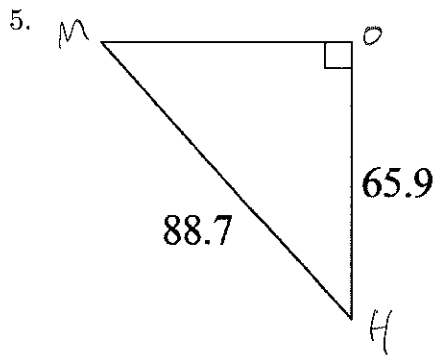
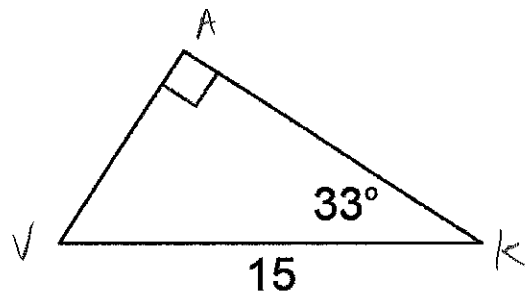


Trig/Inverse Practice: Solve each triangle (find all missing sides/angles).

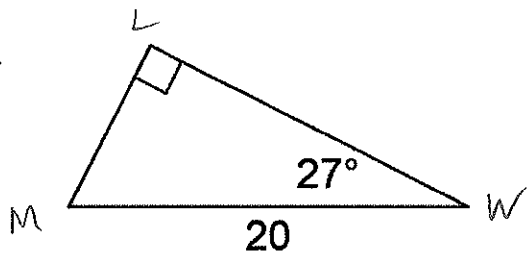




6.



7.



8.

