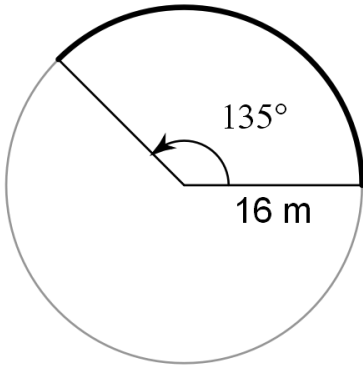


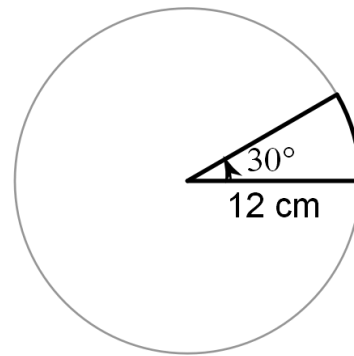
C-B5a:

1. Find the length of the arc.



Practice Assessment

2. Find the area of the sector.



GPE-A1a:

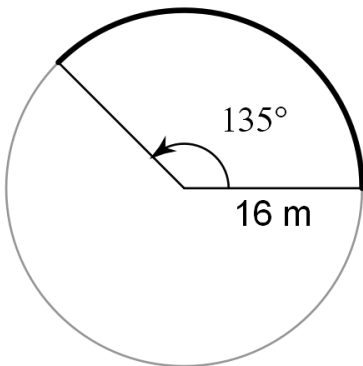
3. Write the equation of a circle in standard form with center  $(-3,2)$  and radius  $\sqrt{12}$ .

GPE-A1b

4. Find the center and radius of the circle:  $x^2 - 6x + y^2 - 6y = -14$

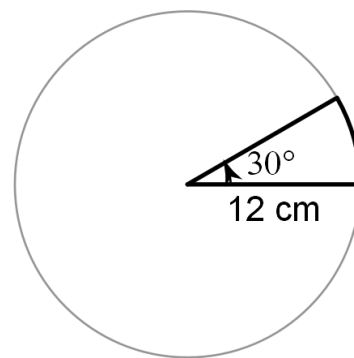
C-B5a:

1. Find the length of the arc.



Practice Assessment

2. Find the area of the sector.



GPE-A1a:

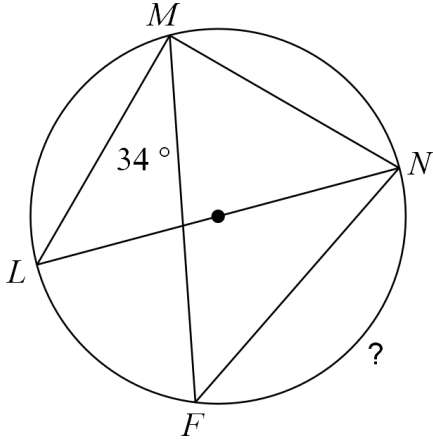
3. Write the equation of a circle in standard form with center  $(-3,2)$  and radius  $\sqrt{12}$ .

GPE-A1b

4. Find the center and radius of the circle:  $x^2 - 6x + y^2 - 6y = -14$

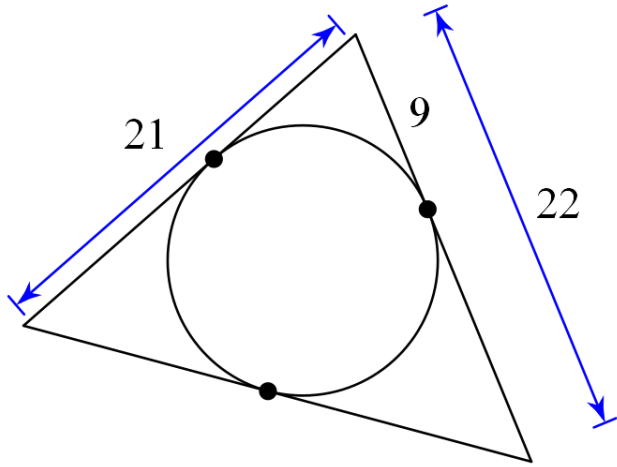
C-A2a

Find the measure of the arc.



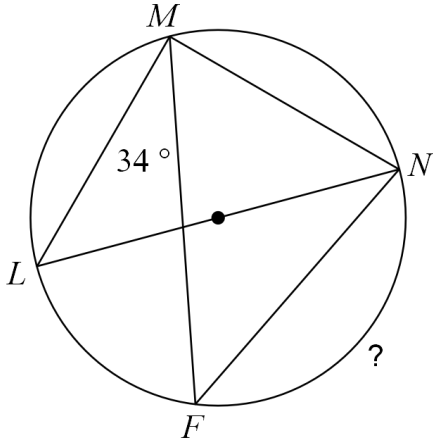
C-A1a

Find the perimeter of the triangle.



C-A2a

Find the measure of the arc.



C-A1a

Find the perimeter of the triangle.

