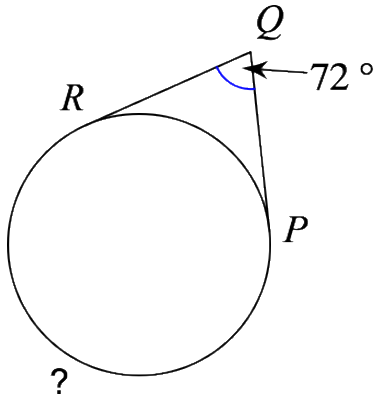


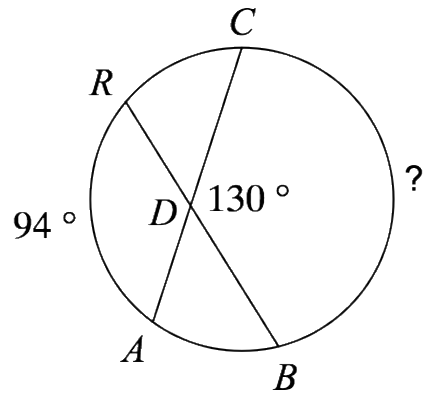
C-A2c

Practice Assessment

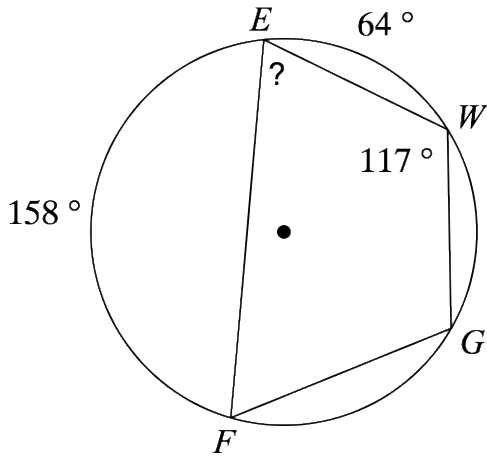
1. Find the measure of major arc RP if $\angle Q = 72^\circ$



2. Find the measure of minor arc CB.



C-A3a: 3. Find the measure of angle E.

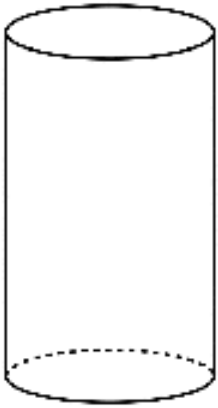


C-B5c 4. Convert each to the appropriate unit.

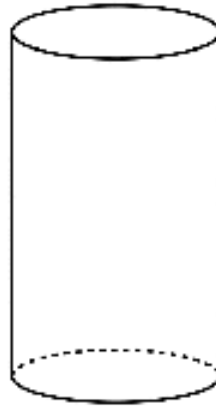
Degrees	Radians
120°	
	$\frac{3\pi}{4}$
30°	

GMD-4a

5. Sketch the indicated cross section when created...

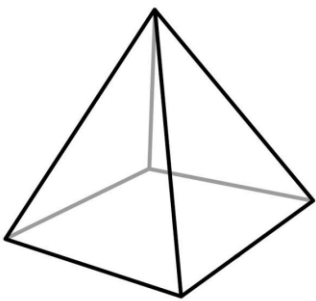


...parallel to base



...perpendicular to base

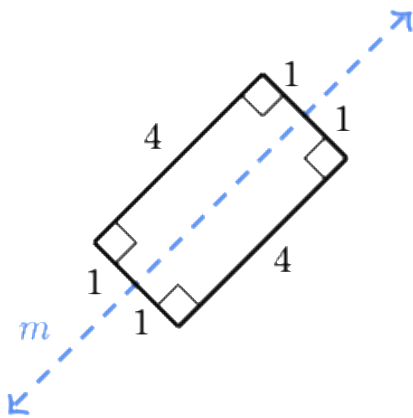
6. Select ALL shapes that could be made by cross sections of a square pyramid.



- square
- trapezoid
- cube
- circle
- triangle

GMD-4b

7. Select ALL of the following that are true, if the rectangle is revolved around line m .



- It forms a rectangular prism with height 2
- It forms a cylinder with height 2
- It forms a cylinder with height 4
- It forms a cylinder with radius 2
- It forms a cylinder with radius 1